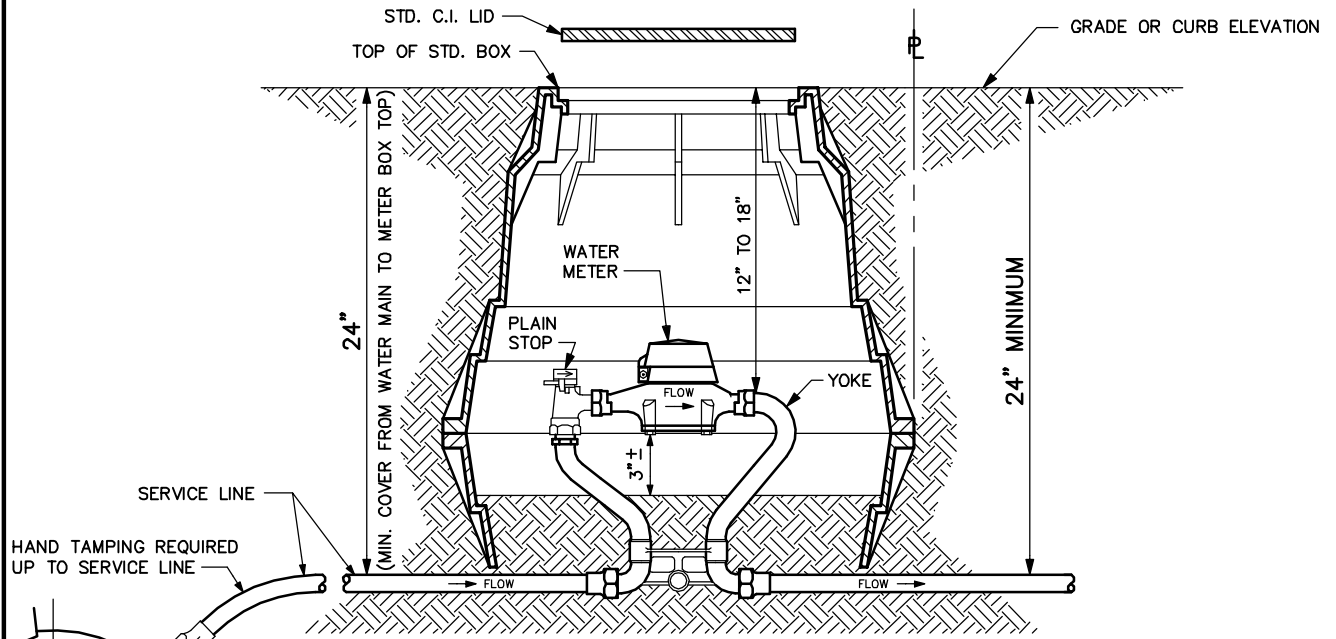
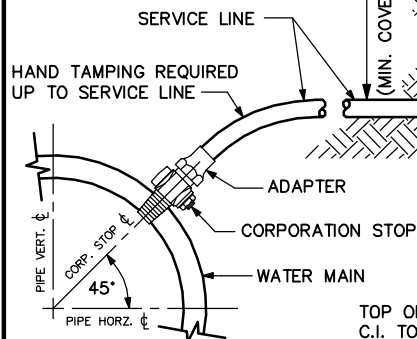


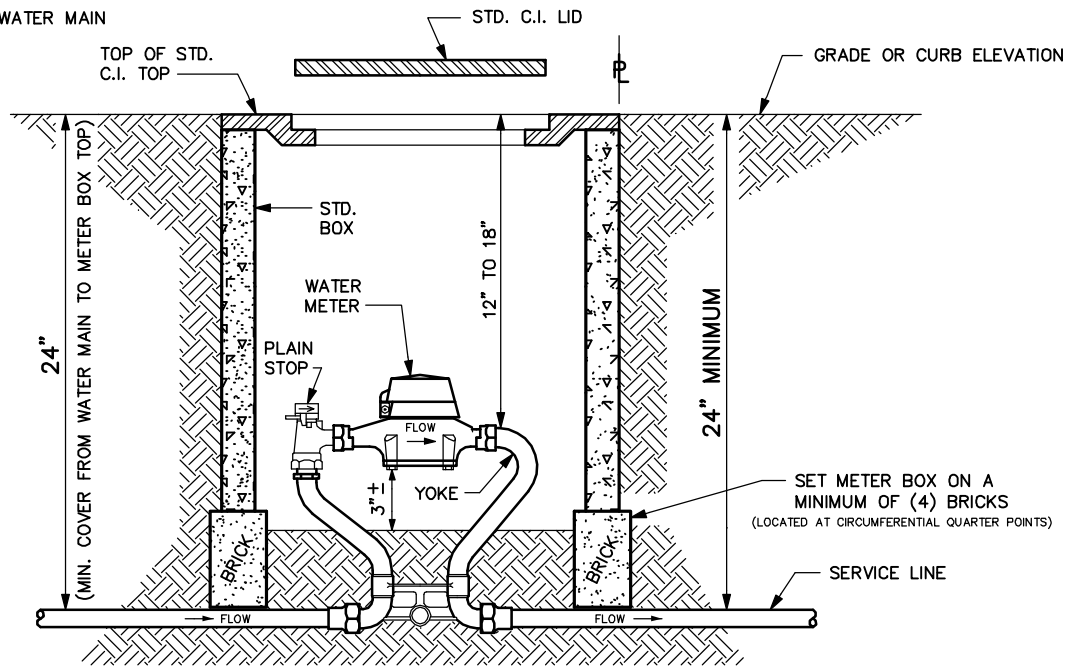
COUNTY OF HENRICO  
DEPARTMENT OF PUBLIC UTILITIES



**PLASTIC METER BOX**



**STANDARD  
SERVICE  
CONNECTION**



**IRONCRETE METER BOX**

**NOTE:**

ALL WATER METERS TO BE FURNISHED & INSTALLED BY THE COUNTY.

METERS SETTERS SHALL BE PROVIDED FOR 5/8" AND 1" METERS. EACH END SHALL HAVE REMOVABLE PACK JOINTS SUITABLE FOR COPPER OR POLYETHYLENE PIPE. ALL METERS SETTERS SHALL HAVE SADDLE NUTS, PADLOCK WINGS AND SHALL BE SIMILAR TO FORD OR MUELLER.

REVISIONS
4-1-81
5-27-94
3-18-97
10-15-97

**STANDARD METER BOX INSTALLATION  
FOR 5/8" AND 1" SERVICES**

DRWG. NO.  
D-221